

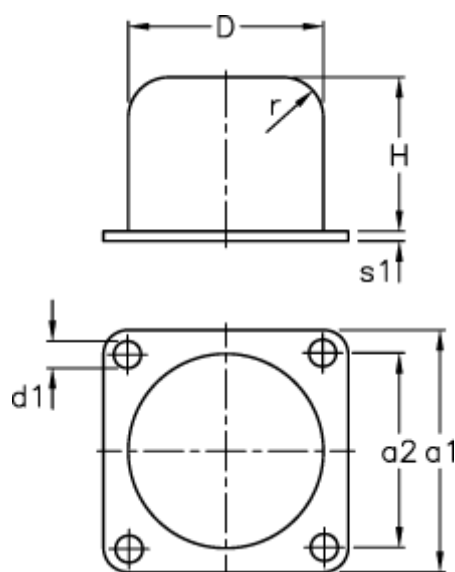
Data Sheet



Article number: 51803509000010

Description: Vibration damper GP-QP 125x100
NR shore 57

Measures



a1 = 160
a2 = 125
D = 125
d1 = 11.0
H = 100
Load capacity F (kN) = 150.0
Load capacity f (mm) = 55
Load capacity W (J) = 2240

r = 25.0
s1 = 6